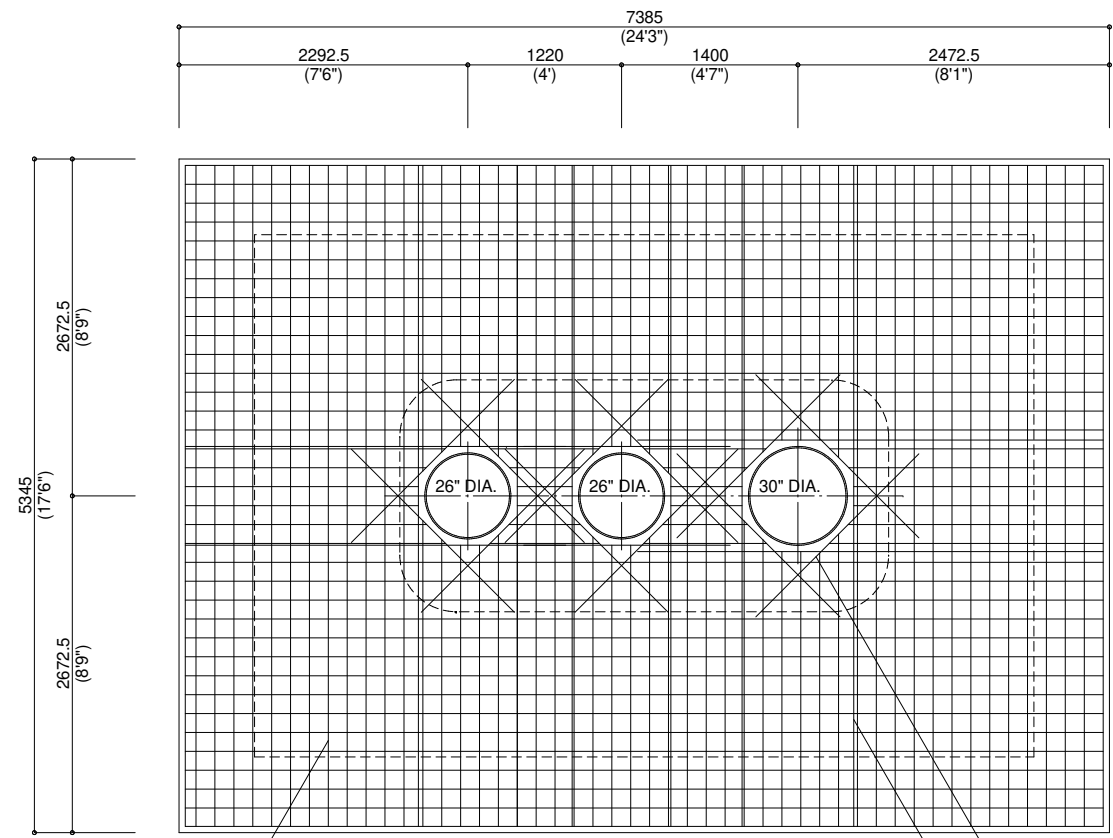


#4@12" O.C. EACH WAY

PROVIDE ADDITIONAL #4 BAR EACH SIDE OF OPENING TO WITHIN 2" FROM EDGE OF EACH OPENING, TYP.

#4x6'-0" @ 45 ANGLE; TYPICAL 4 PLACES, CENTERED AROUND EACH OPENING.

TOP SLAB: TOP REINFORCING

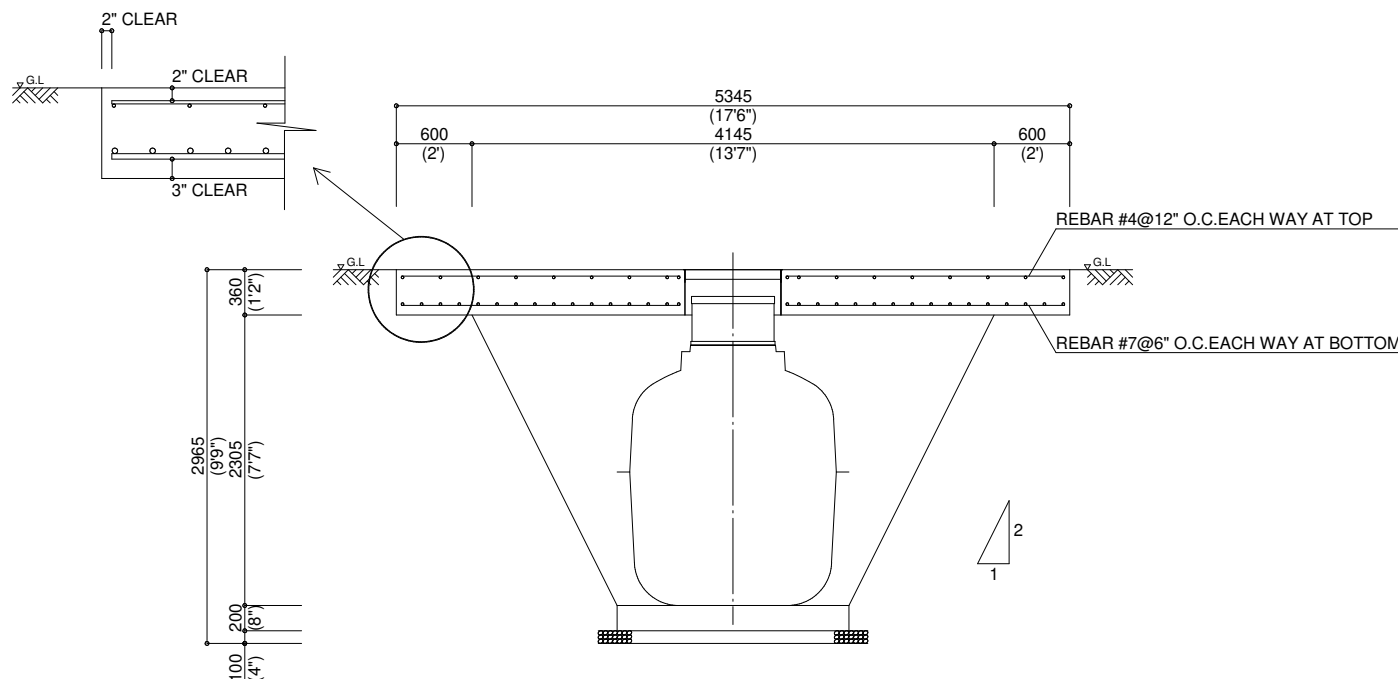


#7@6" O.C. EACH WAY

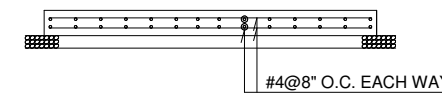
PROVIDE ADDITIONAL #7 BAR EACH SIDE OF OPENING TO WITHIN 2" FROM EDGE OF EACH OPENING, TYP.

#7x8'-0" @ 45 ANGLE; TYPICAL 4 PLACES, CENTERED AROUND EACH OPENING.

TOP SLAB: BOTTOM REINFORCING



CROSS SECTIONAL VIEW



REFERENCE OF REBAR ARRENGEMENT (BASE)

GJS***
 SPECIFICATIONS
 CONCRETE STRENGTH: F'c= 4500PSI, MIN.
 STEEL WIRE : ASTM A615, GRADE 60 NEW DEFORMED BARS.
 ANCHORAGE LENGTH : 40d, MIN.
 FOUNDATION: 4", MIN. #57 STONE.

*1 G.L. IN THE DRAWING INDICATES FINISH GRADE (MANHOLE LID).
 *2 TOP LOAD IS DESIGNED FOR H20.

FUJICLEAN CEN14

SCALE:
 1:60
 DATE:
 04/13/2020
 DRAWN BY:
 MIYANO

