



"MAC80R II" Specifications

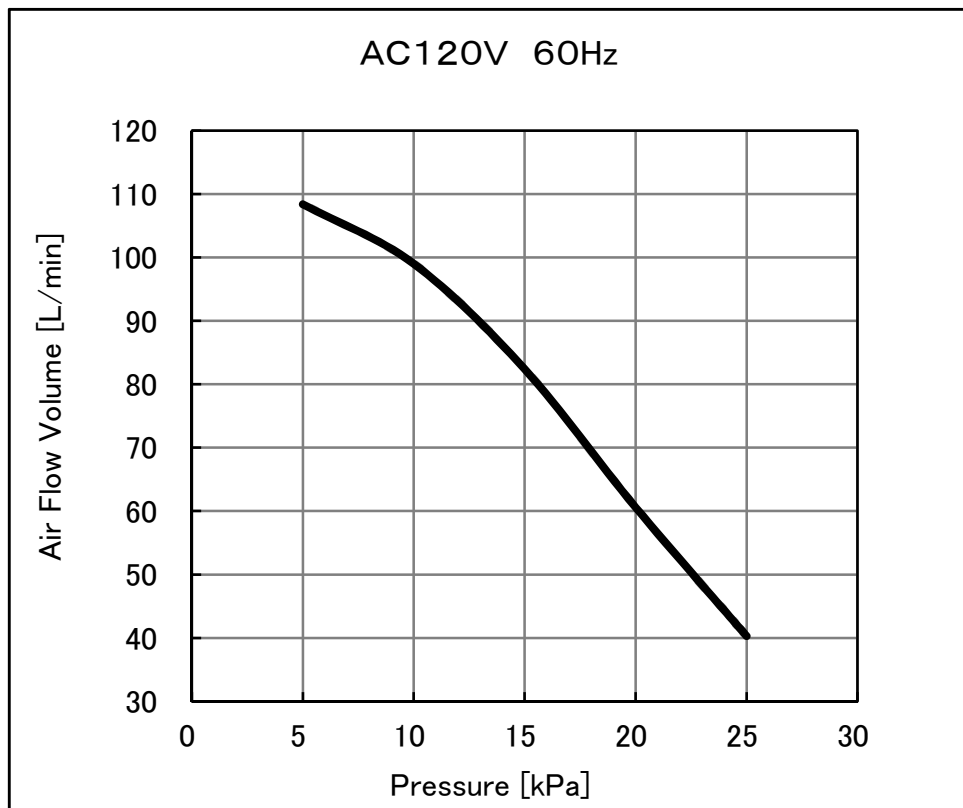
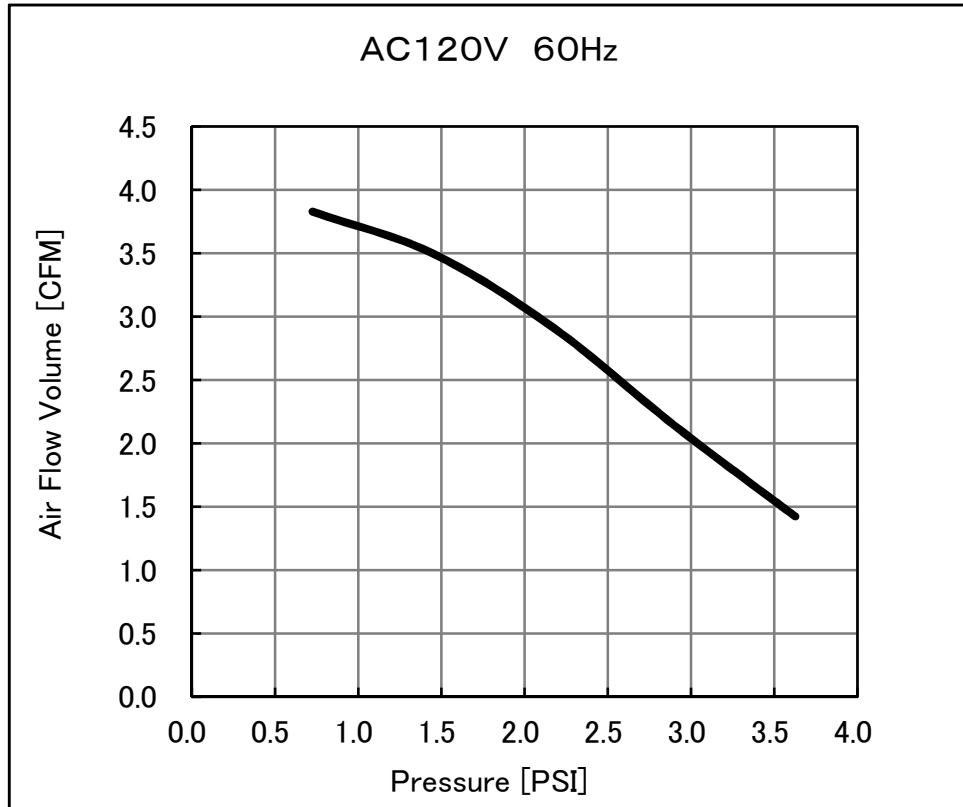
Specification List

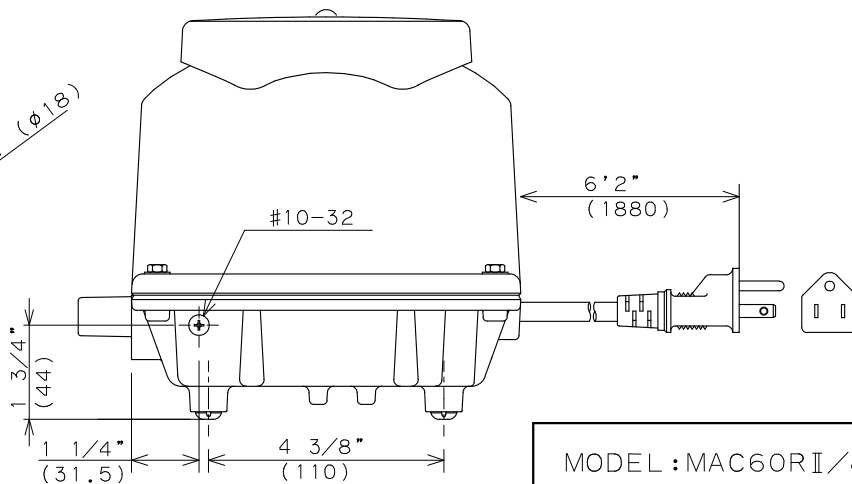
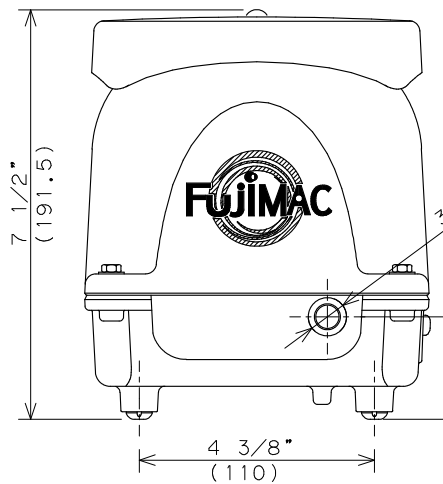
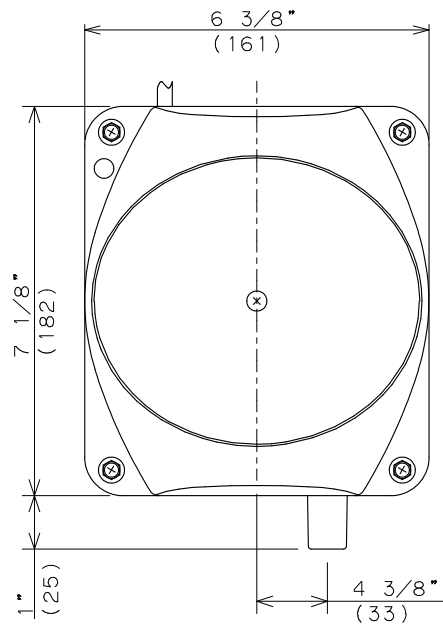
Model		MAC80R II
UL file number		UL E341420
Typical Applications		Aeration, etc.
Rated	Voltage Range and Frequency	AC120V±10V 60Hz
	Proper Pressure Range	2.2PSI±20%
		15kPa±20%
	Insulate Class	A
Rating	Continuous	
Outward	Dimentions	6 3/8" × 7 1/8" × 7 1/2"
		161mm×182mm×191.5mm
	Color	White
	Weight	5 Kg (approx. .)
	Outlet Pipe Size	O. D. 3/4" (φ18mm)
Normal Operation and Performance	Power Code Set	6' 2" (1880mm)
	Input Voltage	AC120V 60Hz
	Nomal Pressure	2.2PSI (15kPa)
	Current	1.0A or less
	Electricity Consumption	51 W
	Air Flow Volume	2.8CFM (2.52CFM more)
		80L/min (72L/min or more)
	Noise Level (at 1m)	50 dBA or less
	Temperature Increase (at 25°C)	Solenoid :80°C or less, surface : 25°C or less
	Insulation Registance	1.0MΩ or more (DC 500V)
Withstand-voltage Test	AC1500V-1min pass	
Environment	Aged Performance	Initial performance should remain
	Temperature Range	-20°C to 40°C
	Humidity	90% or less
	Installation	Install horizontally
	others	No oil, corrosive gas, nor explosive gas

Performance Curve

MAC80R II

Ambient 20°C





Specifications				
Model		MAC60R II	MAC80R II	MAC100R II
Air Flow Volume	CFM	2.1	2.8	3.5
	L/min	60	80	100
Normal Pressure	PSI	2.2	2.2	2.6
	kPa	15	15	18
Rated Voltage	V	AC120		
Frequency	Hz	60		
Power Consumption	W	37	51	74
Weight	kg	Approx.5	Approx.5	Approx.5
Outlet Pipe	inch	3/4" (OD)		
Power Cable	inch	6'2"		
UL file number		UL E341420		
Country of origin		Japan		

Installation / Operation & Maintenance Notes:

- Install blower on solid base. Ensure adequate ventilation and protect against direct sunlight.
- Maintenance requires a trained technician.
- For maximum efficiency, inspect and clean internal air filter once every 3 months.
- Recommend diaphragm / valve assembly replacement once every 12 months. (Note: a damaged diaphragm will trigger the Automatic-Stop function.)

All drawing measurements in inch(mm).

MODEL : MAC60R II / 80R II / 100R II

DATE	SCALE	TRIGOMETRY
May 10, 2017	2/5	

FujiMAC

T10009Z1-H0