



"MAC200R II" Specifications

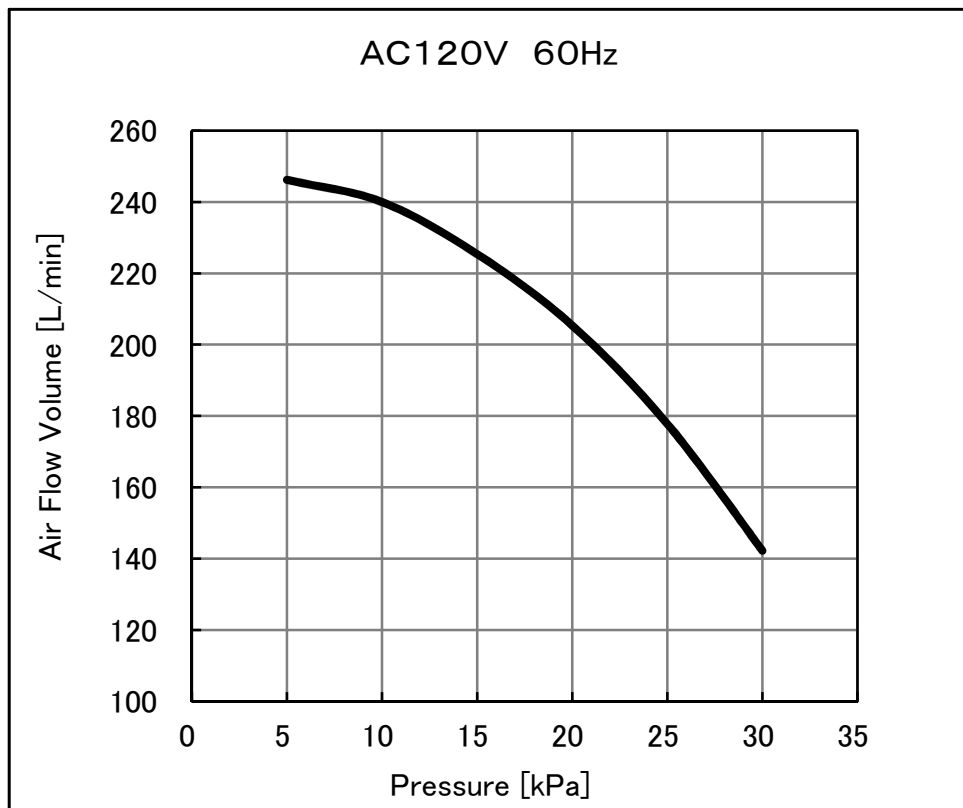
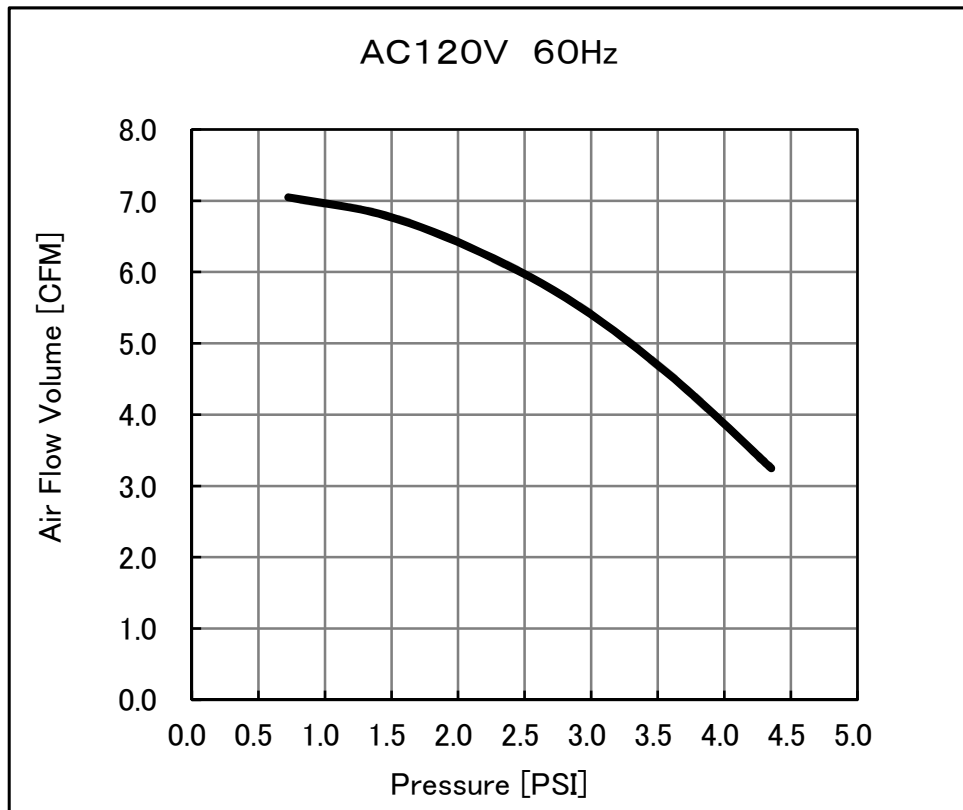
Specification List

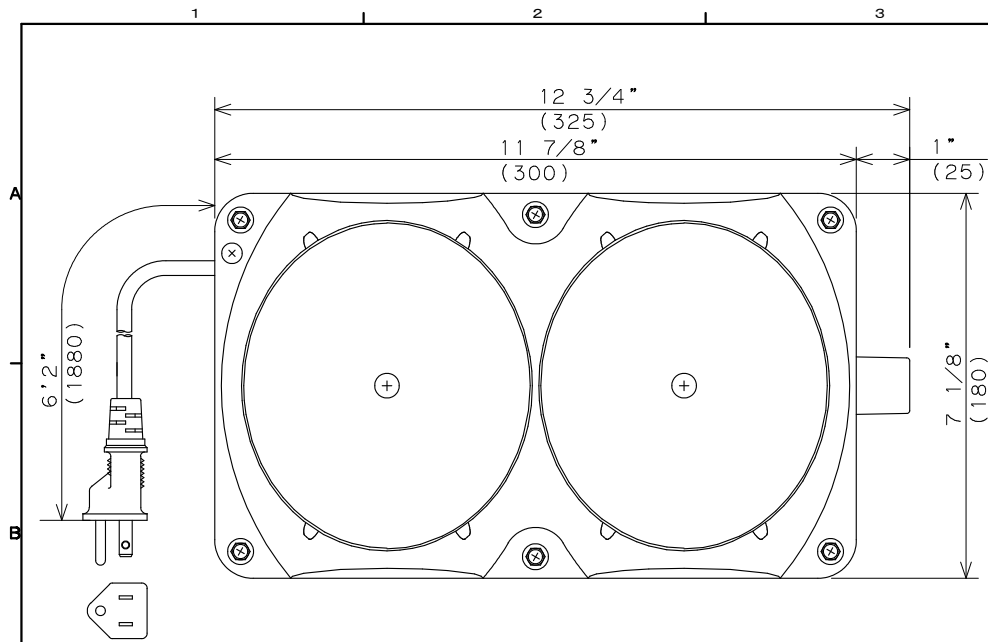
Model		MAC200R II
UL file number		UL E341420
Typical Applications		Aeration, etc.
Rated	Voltage Range and Frequency	AC120V±10V 60Hz
	Proper Pressure Range	2.9PSI±20%
		20kPa±20%
	Insulate Class	A
Rating	Continuous	
Outward	Dimentions	7 1/8" × 11 7/8" × 7 3/4"
		180mm×300mm×198mm
	Color	White
	Weight	9 Kg (approx. .)
	Outlet Pipe Size	O. D. 1" (φ26mm)
Normal Operation and Performance	Power Code Set	6' 2" (1880mm)
	Input Voltage	AC120V 60Hz
	Nomal Pressure	2.9PSI (20kPa)
	Current	2.5A or less
	Electricity Consumption	155W
	Air Flow Volume	7.1CFM (6.39CFM more)
		200L/min (180L/min or more)
	Noise Level (at 1m)	55dBA or less
	Temperature Increase (at 25°C)	Solenoid :80°C or less, surface : 25°C or less
	Insulation Registance	1.0MΩ or more (DC 500V)
Withstand-voltage Test	AC1500V-1min pass	
Environment	Aged Performance	Initial performance should remain
	Temperature Range	-20°C to 40°C
	Humidity	90% or less
	Installation	Install horizontally
	others	No oil, corrosive gas, nor explosive gas

Performance Curve

MAC200R II

Ambient 20°C

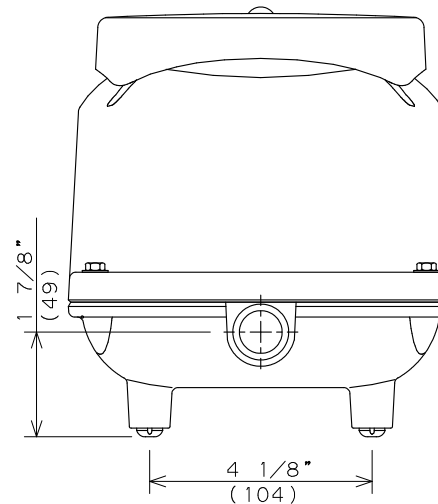
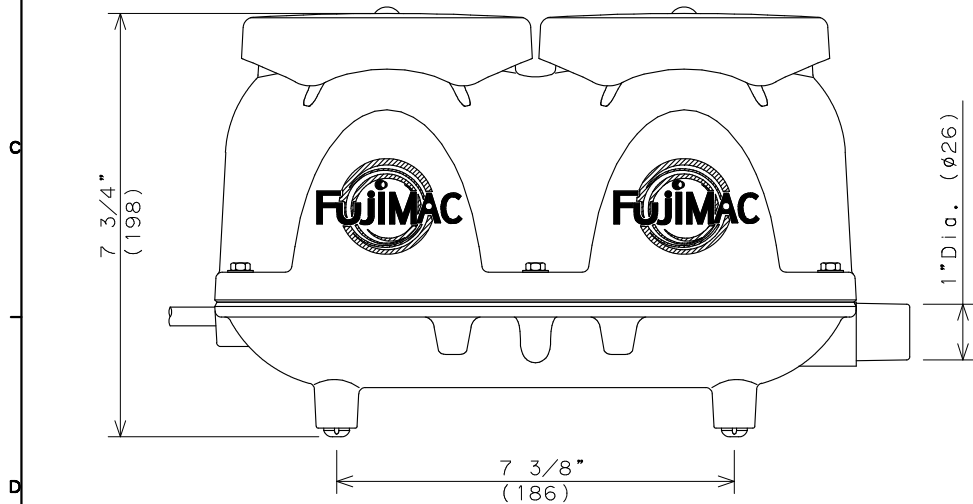




Specifications			
Model		MAC150R II	MAC200R II
Air Flow Volume	CFM	5.3	7.1
	L/min	150	200
Normal Pressure	PSI	2.9	
	kPa	20	
Rated Voltage	V	AC120	
Frequency	Hz	60	
Power Consumption	W	115	155
Weight	kg	Approx. 9	
Outlet Pipe	inch	1" (OD)	
Power Cable	inch	6'2"	
UL file number		UL E341420	
Country of origin		Japan	

Installation / Operation & Maintenance Notes:

- Install blower on solid base. Ensure adequate ventilation and protect against direct sunlight.
- Maintenance requires a trained technician.
- For maximum efficiency, inspect and clean internal air filter once every 3 months.
- Recommend diaphragm / valve assembly replacement once every 12 months. (Note: a damaged diaphragm will trigger the Automatic-Stop function.)



All drawing measurements in inch(mm).

MODEL : MAC150R II / MAC200R II

DATE	SCALE	TRIGOMETRY
May 10, 2017	2/5	

Fujimac

T20009Z1-H0